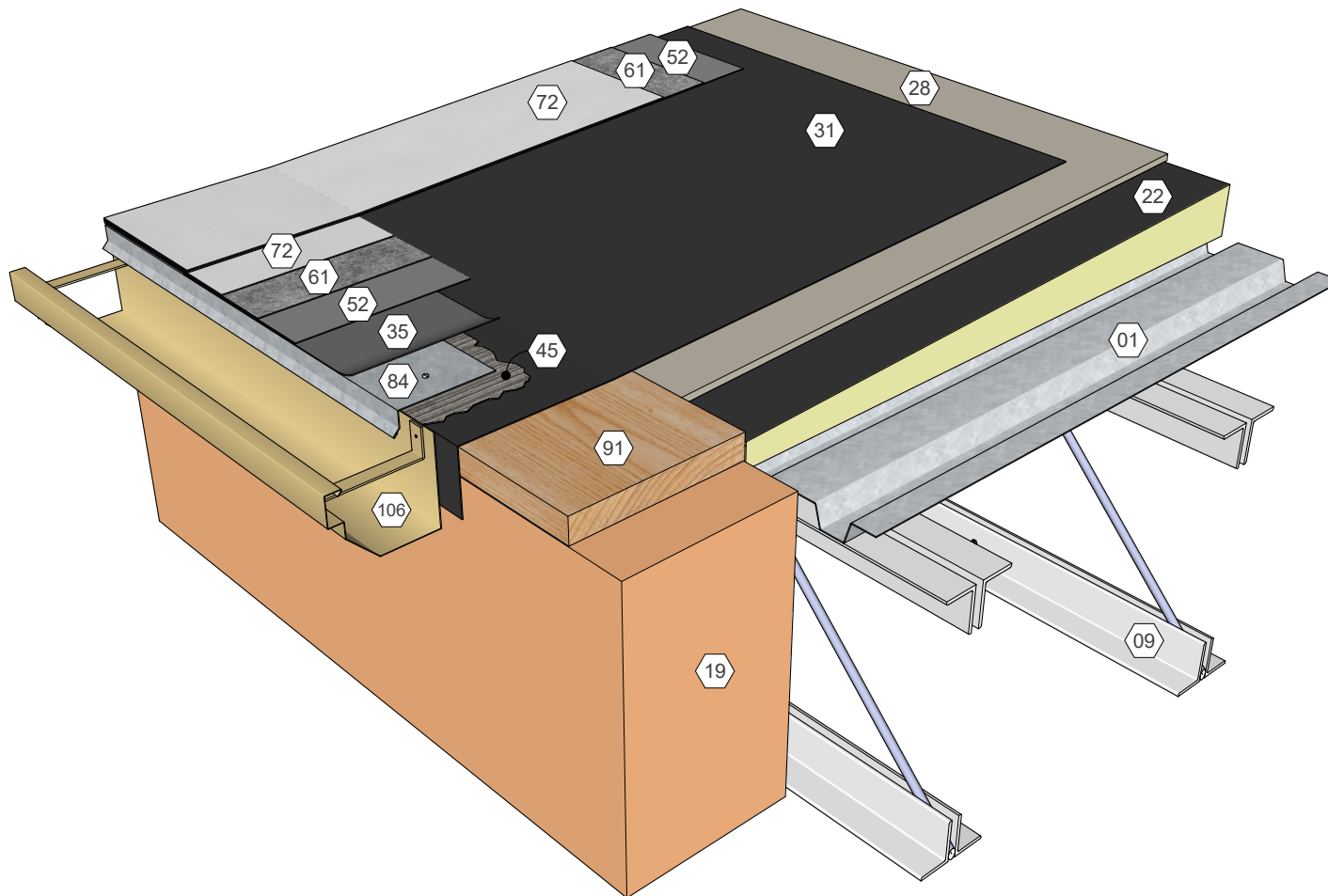


KEY NOTES

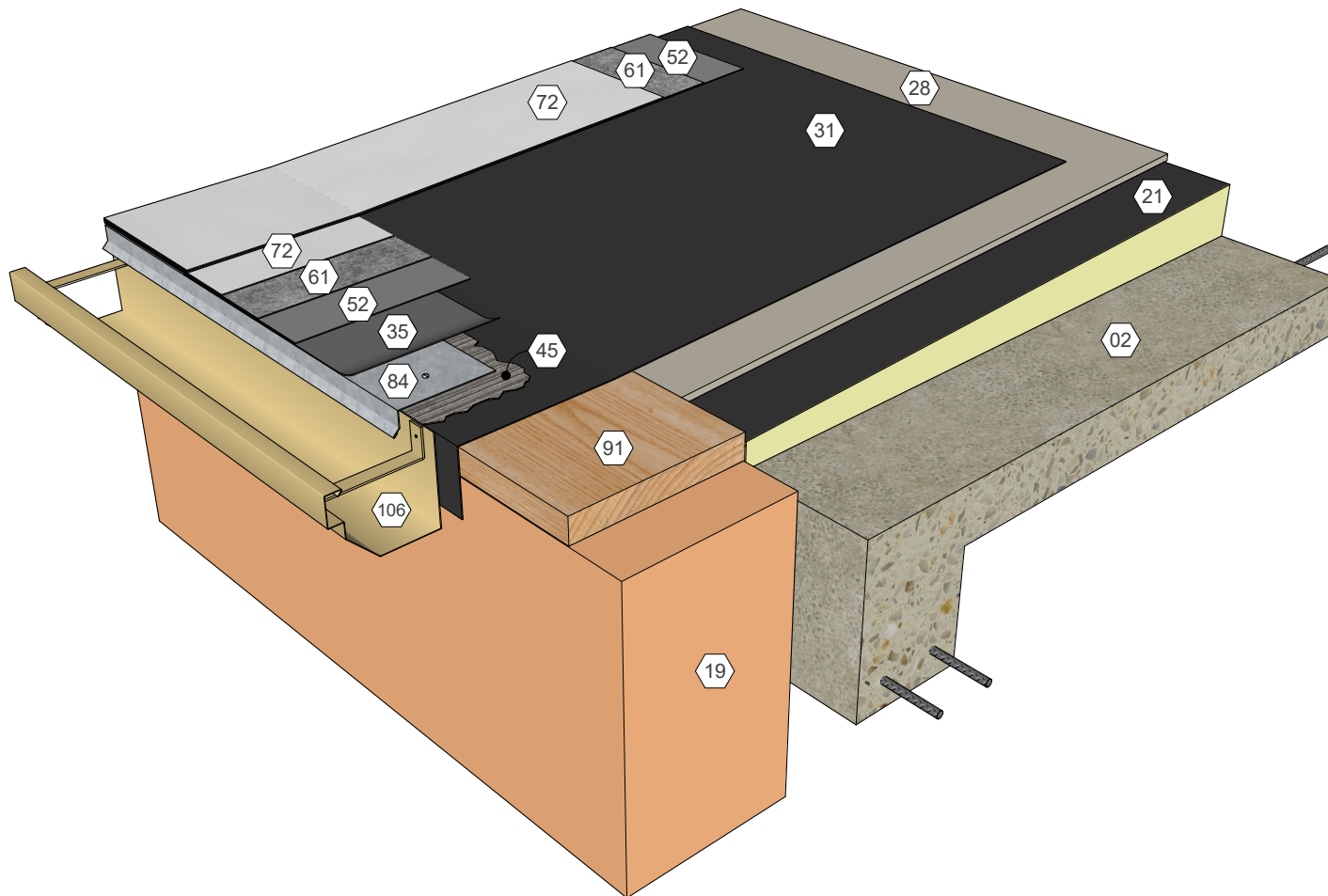
- 01 Metal Deck
- 09 Roof Structure
- 19 Wall Assembly
- 22 Polyisocyanurate Insulation (Fastened or Adhered)
- 28 Cover Board (Adhered)
- 31 Approved Base Ply Sheet
- 35 Stripping Ply
- 45 Roofing Mastic
- 52 AlphaGuard BIO Base Coat
- 61 AlphaGuard Glass Mat or Permafab
- 72 AlphaGuard BIO Top Coat
- 84 Sheet Metal Edge Flashing
- 91 Wood Blocking
- 106 Sheet Metal Gutter System



AlphaGuard® BIO Plus Gutter Detail, Metal Deck
Detail 23551

KEY NOTES

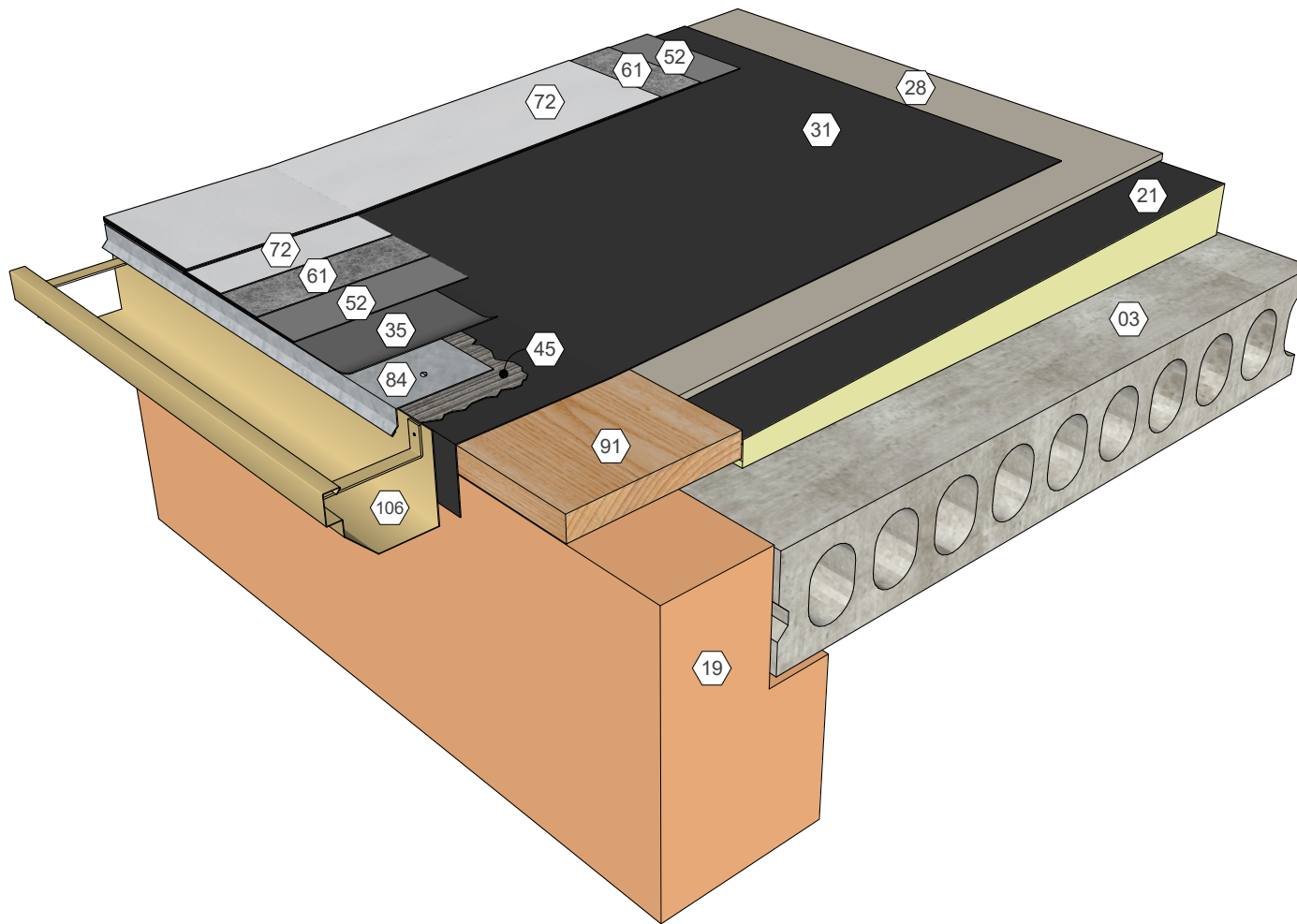
- 02 Structural Concrete Deck
- 19 Wall Assembly
- 21 Polyisocyanurate Insulation (Adhered)
- 28 Cover Board (Adhered)
- 31 Approved Base Ply Sheet
- 35 Stripping Ply
- 45 Roofing Mastic
- 52 AlphaGuard BIO Base Coat
- 61 AlphaGuard Glass Mat or Permafab
- 72 AlphaGuard BIO Top Coat
- 84 Sheet Metal Edge Flashing
- 91 Wood Blocking
- 106 Sheet Metal Gutter System



AlphaGuard® BIO Plus Gutter Detail, Structural Concrete Deck
Detail 23552

KEY NOTES

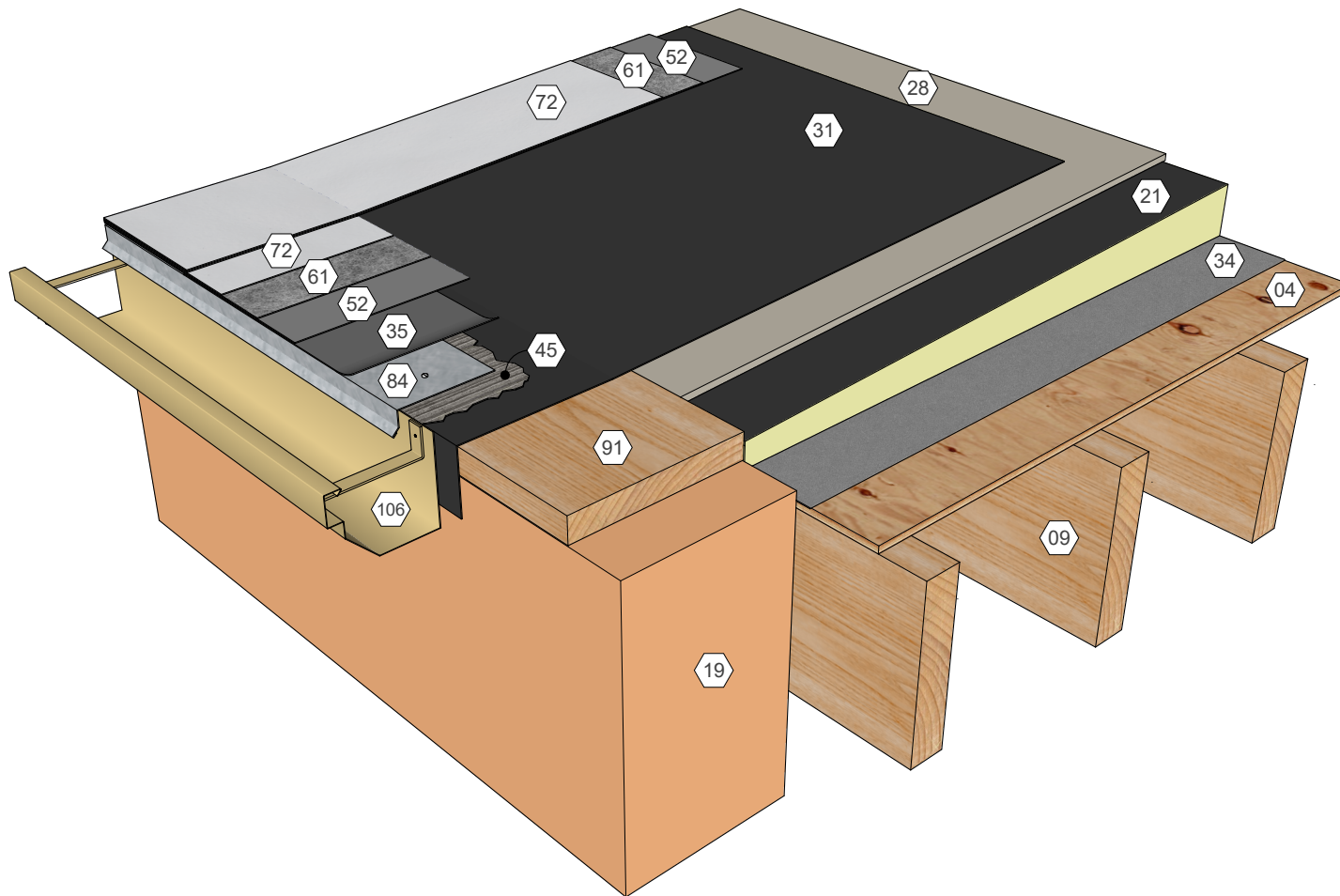
- 03 Precast Concrete Deck
- 19 Wall Assembly
- 21 Polyisocyanurate Insulation (Adhered)
- 28 Cover Board (Adhered)
- 31 Approved Base Ply Sheet
- 35 Stripping Ply
- 45 Roofing Mastic
- 52 AlphaGuard BIO Base Coat
- 61 AlphaGuard Glass Mat or Permafab
- 72 AlphaGuard BIO Top Coat
- 84 Sheet Metal Edge Flashing
- 91 Wood Blocking
- 106 Sheet Metal Gutter System



AlphaGuard® BIO Plus Gutter Detail, Precast Concrete Deck
Detail 23553

KEY NOTES

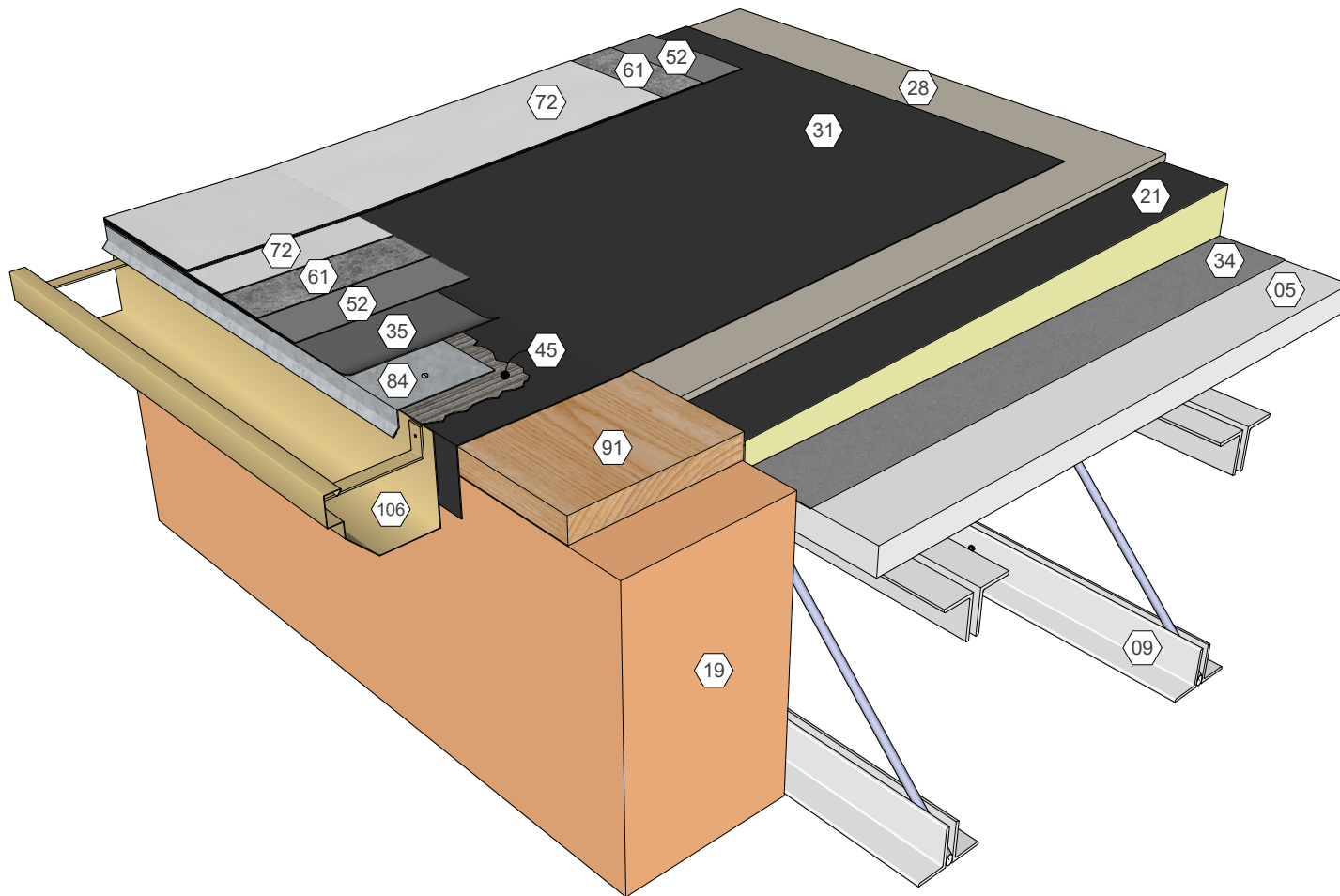
- 04 Wood Deck
- 09 Roof Structure
- 19 Wall Assembly
- 21 Polyisocyanurate Insulation (Adhered)
- 28 Cover Board (Adhered)
- 31 Approved Base Ply Sheet
- 34 Base Sheet (Fastened)
- 35 Stripping Ply
- 45 Roofing Mastic
- 52 AlphaGuard BIO Base Coat
- 61 AlphaGuard Glass Mat or Permafab
- 72 AlphaGuard BIO Top Coat
- 84 Sheet Metal Edge Flashing
- 91 Wood Blocking
- 106 Sheet Metal Gutter System



AlphaGuard® BIO Plus Gutter Detail, Wood Deck
Detail 23554

KEY NOTES

- 05 Gypsum Deck
- 09 Roof Structure
- 19 Wall Assembly
- 21 Polyisocyanurate Insulation (Adhered)
- 28 Cover Board (Adhered)
- 31 Approved Base Ply Sheet
- 34 Base Sheet (Fastened)
- 35 Stripping Ply
- 45 Roofing Mastic
- 52 AlphaGuard BIO Base Coat
- 61 AlphaGuard Glass Mat or Permafab
- 72 AlphaGuard BIO Top Coat
- 84 Sheet Metal Edge Flashing
- 91 Wood Blocking
- 106 Sheet Metal Gutter System



AlphaGuard® BIO Plus Gutter Detail, Gypsum Deck
Detail 23555